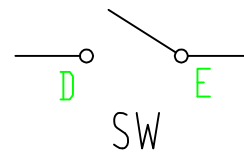
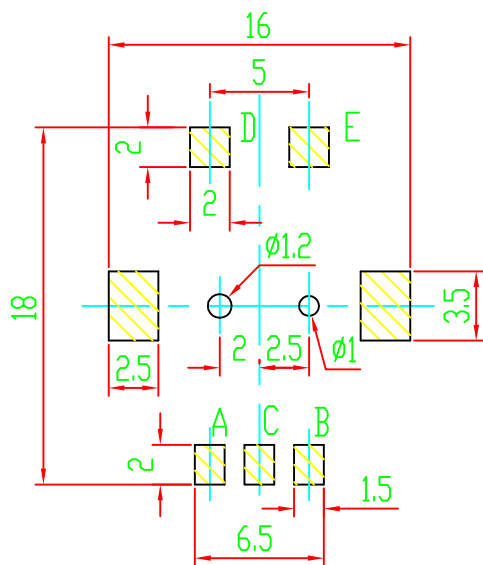
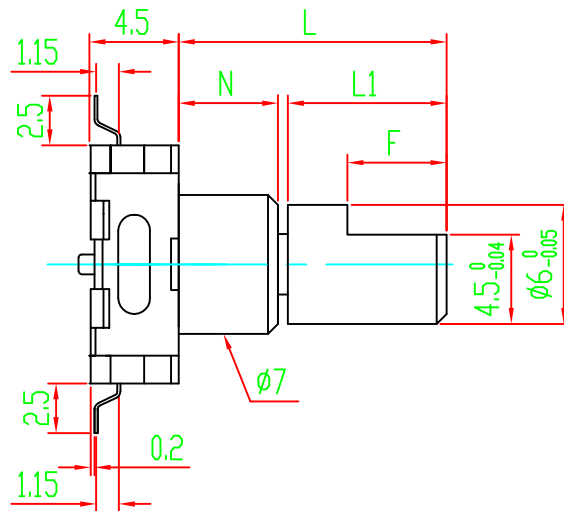
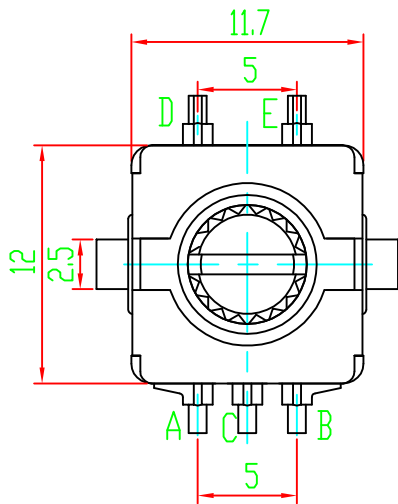


Shaft Shown in Full  
C.C.W. Position



P.C.B MOUNTING DETAIL

L	10	10	10.5	12	12.5	13	15	20
L1	4.5	4.5	5	6.5	7	7.5	9.5	14.5
F	3.7	4	4	5	5	6	7	12
N	5	5	5	5	5	5	5	5

02				05			
01				04			
	DATE	REVISION	APPROVED	03			

MODEL: EC11-1S-D5\*4.5-L15F7 SMT 光轴套

DRAWING NO:



常州宇豪电子有限公司

CHANGZHOU YUHAO ELECTRONIC CO.,LTD.

DRAW	CHKD	APPD
------	------	------